



## PORTABLE BASKETBALL UNIT - "STREET"

## Technical Data Sheet



Reference: BASQ0016



Ground-Rubber, Safety Rubber Tiles, Sports & Playgrounds Safety Surfacing, Artificial Grass  
المنتجات المطاطية - البلاط المطاطي وأجزاء البلاط المطاطي والملاط المطاطي والملاط المطاطي  
P.O. Box 3989 - Al-Madina 11602 - Kingdom of Saudi Arabia  
Tel: +966 -10 -852 1949 - Fax: +966 -10 -852 1918  
www.sarpcorubber.com - E-mail: sales@sarpcorubber.com

### Unit Structure:

- ✓ Structure made in different types of steel tubing S235JR produced according to EN10025
- ✓ Base made in square steel tube with 50x3mm
- ✓ Post made in square steel tube with 80x4mm
- ✓ Overhang made in steel tubing with 70x3mm
- ✓ Telescopic reinforcements made in round steel tube with 3/4" and 1" diameter

Mechanical Properties	Values
Superior yield stress	$R_{eh} \geq 235 \text{ N/mm}^2$
Tensile strength	$R_m = 360-510 \text{ N/mm}^2$
Minimal extension	$A = 20\%$

### Backboard:

- ✓ **Backboard made in polyester**
- ✓ Light weighted and rigid allows an easy assembly
- ✓ High resistance against high impacts
- ✓ Highly resistant against chemical and corrosion
- ✓ Long life span due to natural UV resistance of the material

### Hoop and Net:

- ✓ **Reinforced massive metal hoop**
- ✓ Painted in orange
- ✓ 12 Fixation points for the net equally spaced to prevent athletes from injuring their fingers
- ✓ Interlaced nylon net with 3,5mm in white

### Front Protection:

- ✓ **Rigid polyurethane foam covered with black vinyl fabric**
- ✓ Soft cushion foam with 23 kg/m3 density
- ✓ Durable covering thanks to vinyl

characteristics:

- Waterproof
- Weatherproof
- UV Resistant
- Excellent abrasion resistance
- Easy to clean



## PORTABLE BASKETBALL UNIT - "STREET"

## Technical Data Sheet

Page 2/3

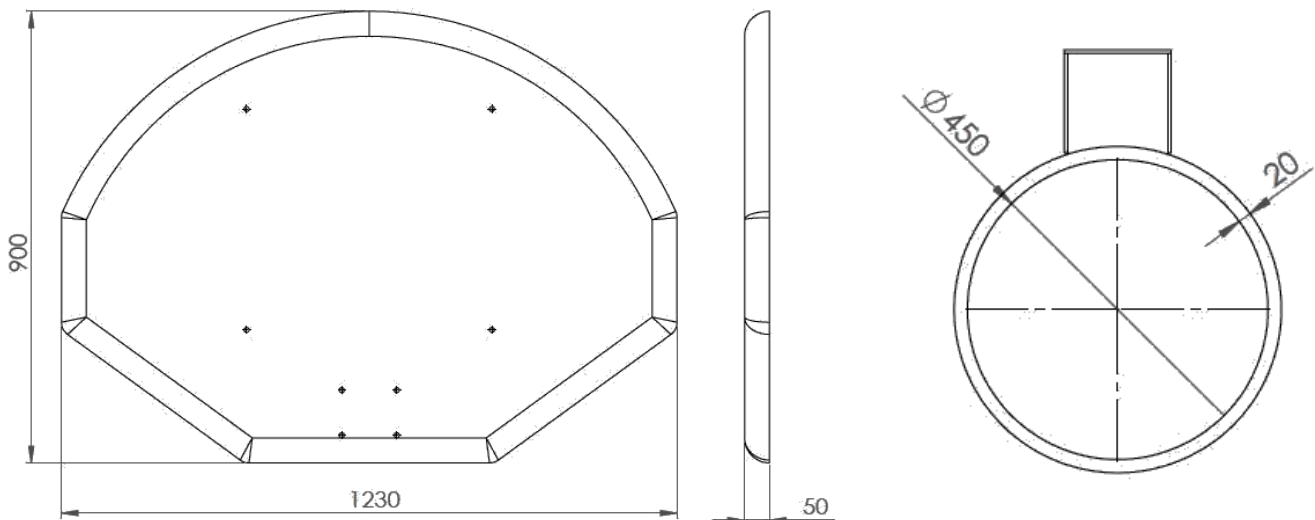
### Surface treatment:

- ✓ **Metal components have an anti-corrosion treatment**
- ✓ Structure painted in black with a two component polyurethane primer and paint specially made for metallic structures
- ✓ Overhang and telescopic reinforcements treated with zinc coating

### Technical Characteristics:

- ✓ **Hoop height: Easily adjustable at 2,60 meters (Mini Basketball) or 3,05 meters (Basketball)**
- ✓ **Overhang: 600mm**
- ✓ Manual lifting system of overhang and backboard
- ✓ Polyurethane wheels to assure an easy transportation and preservation of sports flooring
- ✓ Game and storage position thanks to its folding overhang and backboard
- ✓ Telescopic reinforcements connect the overhang to the backboard to assure a better stability of the last
- ✓ Counterweight made on the back of the unit with 3 cements blocks
- ✓ 2 Ground fixation points made on the back of the base of the unit

### Technical Drawings:



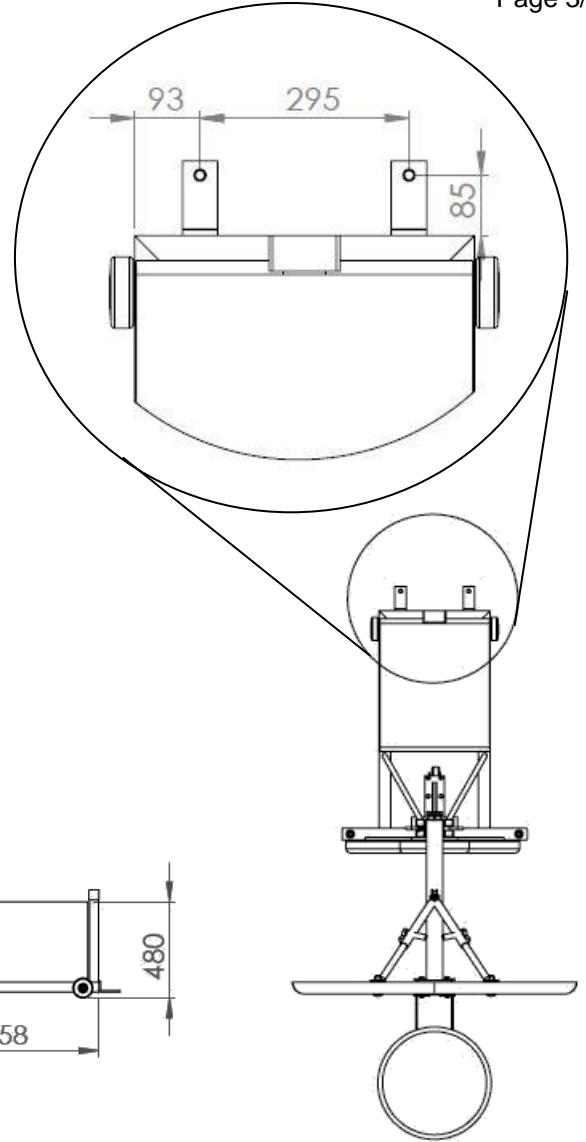
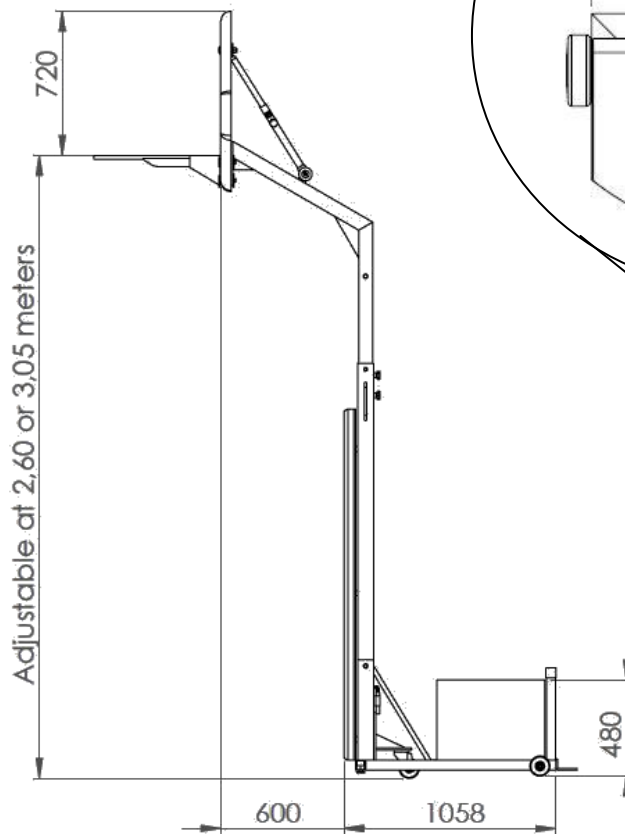
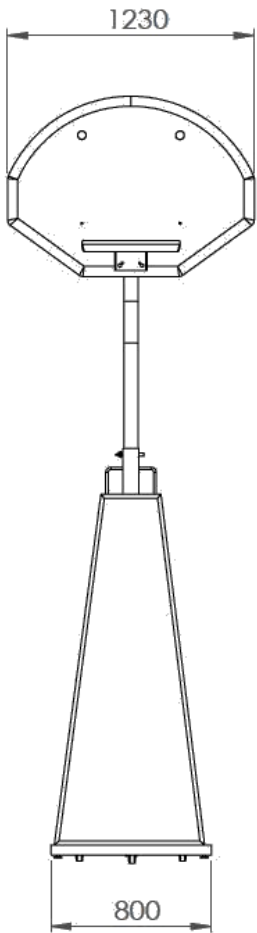


## PORTABLE BASKETBALL UNIT - "STREET"

## Technical Data Sheet

### Technical Drawings:

#### Game Position



#### Storage Position

